



HPI-55-4-W

The HPI-55-4-W is a Tie Top Pin Insulator in a white color option to provide neutral conductor or phase identification. Molded from the same proprietary blend of track and UV resistant high density polyethylene used in all Hendrix Insulators, they are more durable and reliable than traditional wet-process porcelain insulators. They are also lighter, safer and easier to handle.

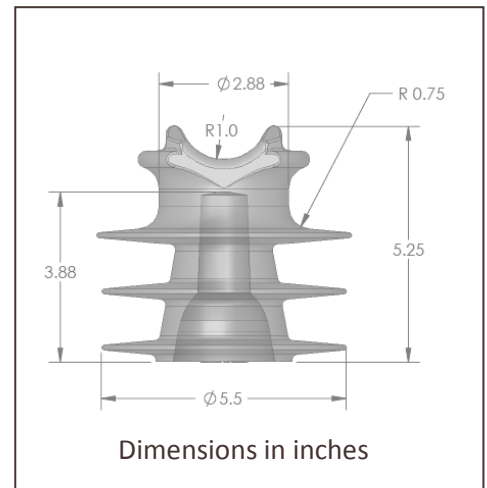
The HPI-55-4-W is designed with standard ANSI F-neck and 1-inch thread size. It is a direct replacement for medium-voltage porcelain F-neck insulators and recommended for all conductor types, bare or covered.



- Exceeds ANSI electrical and mechanical requirements
- Resistant to impact damage, breakage and vandalism
- Designed for use with all Tie Products
- RUS Accepted
- Made in USA

PRODUCT DATA

Characteristic	ANSI C29.5 Class 55-4	HPI-55-4-W
DIMENSIONS		
Neck designation	F	F
Leakage distance (in)	9	12.9
Dry-arc distance (in)	5	6.5
^[1] Pin-hole diameter (in)	1	1
MECHANICAL VALUES		
Cantilever strength (lbs)	3000	3000
ELECTRICAL VALUES		
Typical application (kV)		15
Flashover voltage, 60 Hz Dry (kV)	65	83
Flashover voltage, 60 Hz Wet (kV)	35	51
Impulse Flashover – Positive (kV)	105	129
Impulse Flashover – Negative (kV)	130	158
Low frequency Puncture (kV)	95	215
OTHER		
Max. Conductor Diameter (in)		1.75
Part Weight (lbs)		1.2
Max Continuous Conductor Temp (°C)		120



Notes:

[1] Other pin-hole diameters and thread configurations are available