

## HRS-KL

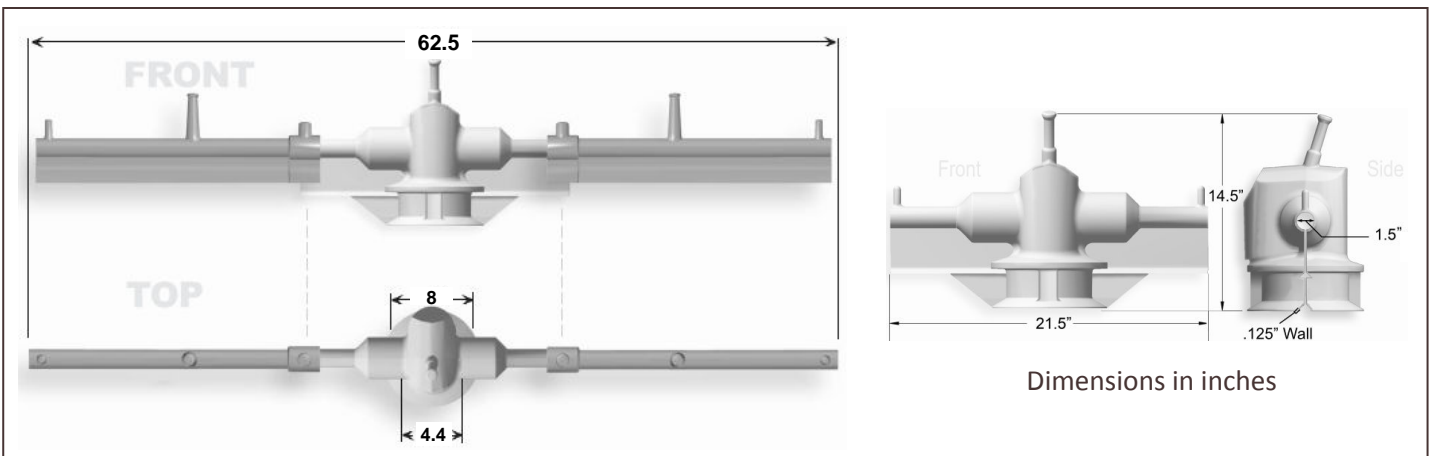
Hendrix Raptor Shields are designed to protect wildlife from live line contact, reduce power outages, and assist in the implementation of your Avian Protection Plan.

The HRS-KL is designed for use with K-Line’s “K-Clamp” Distribution Line Post insulators to provide complete coverage of the conductor-insulator interface. The central cover portion is sized to also accept tie-top styles. Extension arms overlap the central cover for electrical performance. The cover and arms are made from UV stabilized plastisol-PVC to provide long service life under harsh conditions.

- Installs with live-line tools
- Resistant to impact damage and vandalism
- Made in USA

## PRODUCT DATA

Characteristic	HRS-KL
Description	Conductor/Insulator cover kit containing one (1) center piece and two (2) extension arms
Application	Fits all K-Clamp and Tie-top Line Post insulators Fits conductor sizes #6 to 795 kcmil
Weight	8.5 lbs.
Length	62.5 in. (assembled); extension arms are 23 in. each



**CAUTION:** Raptor Shields are not intended as a safety covering for personnel protection