

HRS-LP

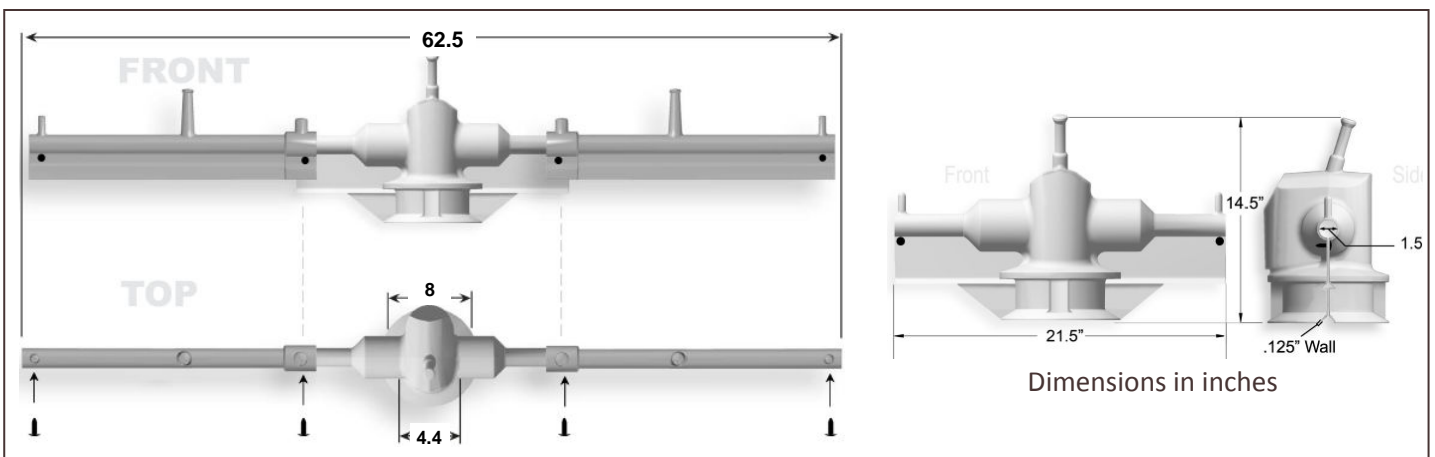
Hendrix Raptor Shields are designed to protect wildlife from live line contact, reduce power outages, and assist in the implementation of your Avian Protection Plan.

The HRS-LP is designed for use with Line Post insulators to provide complete coverage of the conductor-insulator interface. The central cover portion is sized to accept both tie-top and clamp-top styles. Extension arms overlap the central cover for electrical performance and are pinned in place by four connector pins. The cover and arms are made from UV stabilized plastisol-PVC to provide long service life under harsh conditions.

- Installs with live-line tools
- Resistant to impact damage and vandalism
- Made in USA

PRODUCT DATA

Characteristic	HRS-LP
Description	Conductor/Insulator cover kit containing one (1) center piece, two (2) extension arms and four (4) connector pins
Application	Fits all Line Post Tie-top and Line Post Clamp-top insulators Fits conductor sizes #6 to 795 kcmil
Weight	8.5 lbs.
Length	62.5 in. (assembled); extension arms are 23 in. each



CAUTION: Raptor Shields are not intended as a safety covering for personnel protection