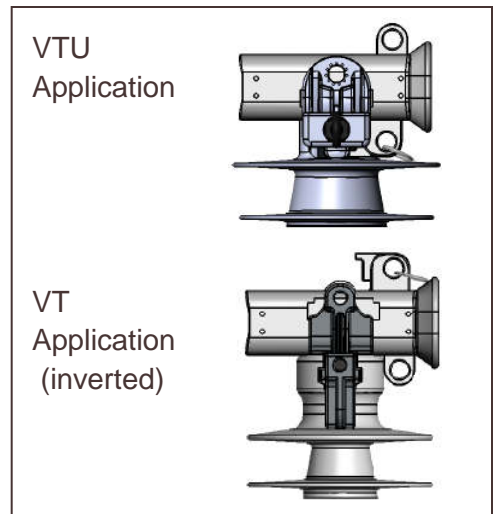
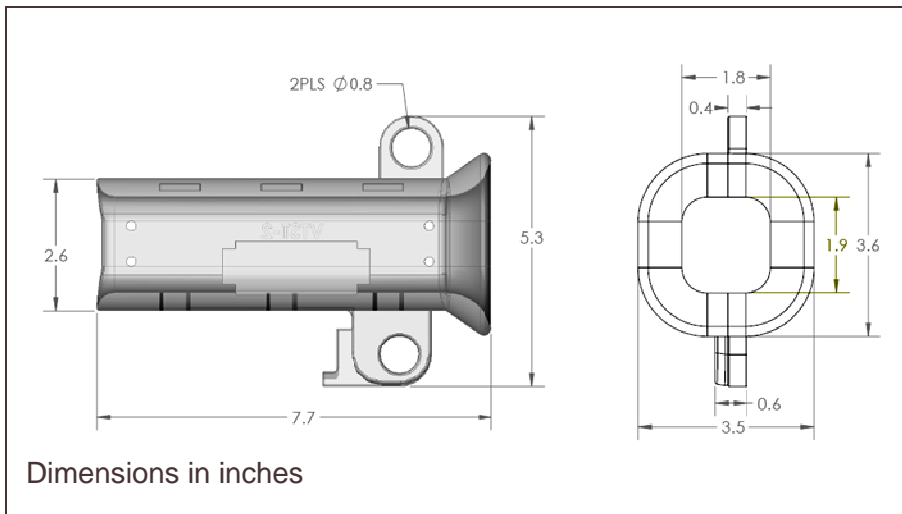




## VTST-2

Vise Top Stringing Tools are designed for conductor stringing directly through Vise Top insulators to reduce installation time and cost. They eliminate the need for separate stringing blocks and there is no conductor transfer needed after the pull – the conductor is already in the saddle.

The VTST-2 is a second generation design optimized for use with Hendrix Vise Top Universal (VTU) pin-type insulators and is backward compatible with first generation Vise Top (VT) insulators. It is designed to sit in the insulator’s jaw platform and is removable by hand or live-line tool (hot-stick). It is made from abrasion resistant glass-filled nylon to support numerous installations.



## ORDER GUIDE

Model	Description
VTST-2	Two-piece glass-filled nylon construction with encapsulated stainless-steel wear bands and zinc-plated coupling ring Fits all Vise Top Universal (VTU) and Vise Top (VT) insulators Packaging Qty – 40 pc. Net Wt. – 39.5 lbs.