

H-15V, H-20V Spacers

Description:

The H-15V and H-20V are vertical spacers used in Hendrix Spacer Cable Systems. After they are hung on the messenger, the H-15V and H-20V support and separate the phase conductors in a vertical configuration. These spacers are secured to the messenger and conductors using RT-33 ring ties which are included with the spacers. The H-15V and H-20V are molded using proprietary, gray, track resistant, high density polyethylene.

Benefits:

- Optimum dielectric compatibility with Hendrix Spacer Cable
- Excellent weather washing characteristics
- Long leakage distance resists flashovers
- Close phase spacing minimizes voltage drop
- Highly resistant to shock/impact/rifle fire
- Lightweight, rugged construction
- Using RT ring ties, can be installed with hot line tools

Application:

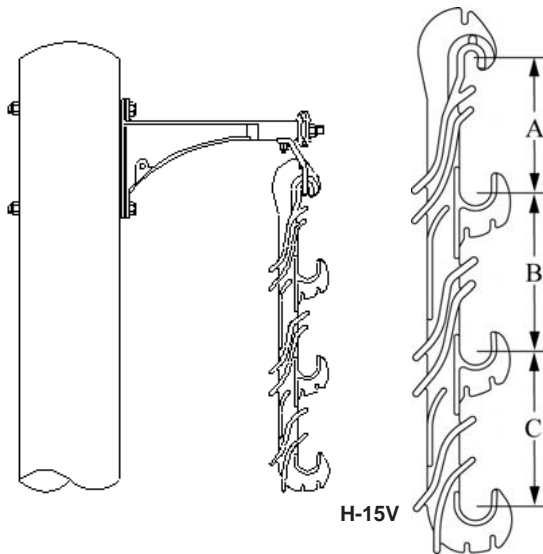
The H-20V is designed for use on single phase distribution circuits rated 20kV, phase to ground, and this spacer has a hole for attachment of a BAS Anti-Sway Bracket, if required. A typical application for the H-20V is backlot, residential construction. The H-15V is designed for use on distribution systems rated 5kV through 15kV where vertical separation of conductors is required. Installation of the spacers should be made in accordance with Hendrix Installation Instructions. Spacers are installed at 30 foot intervals.



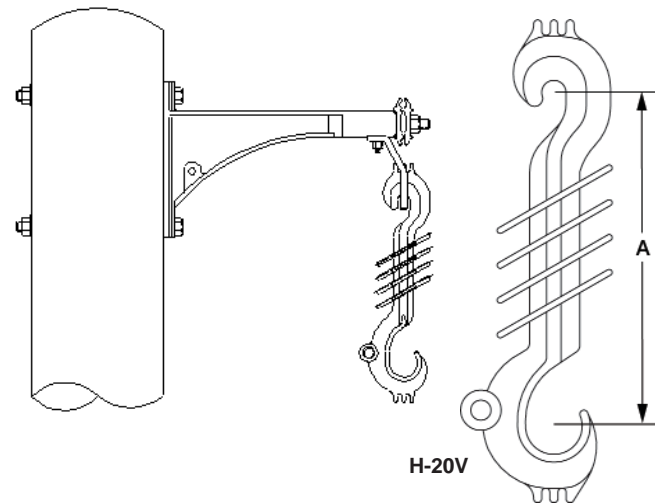
H-20V



H-15V



H-15V



H-20V

Catalog No.	Overall Dimensions (in)		Dimensions (in)			Min. Leakage Distance (in)	Max. Messenger Diameter (in)	Max. Conductor Diameter (in)	Weight (lbs)	Material
	Height	Width	A	B	C					
H-15V	26	4 1/2	6 1/2	7 1/2	7 1/2	10 1/2	.750	1.50	1.5	High Density Polyethylene
H-20V	14 9/16	4	10 1/2	-	-	18 1/2	.750	1.50	.75	High Density Polyethylene