

# BA3-15, BA3-35 Angle Brackets

## Description:

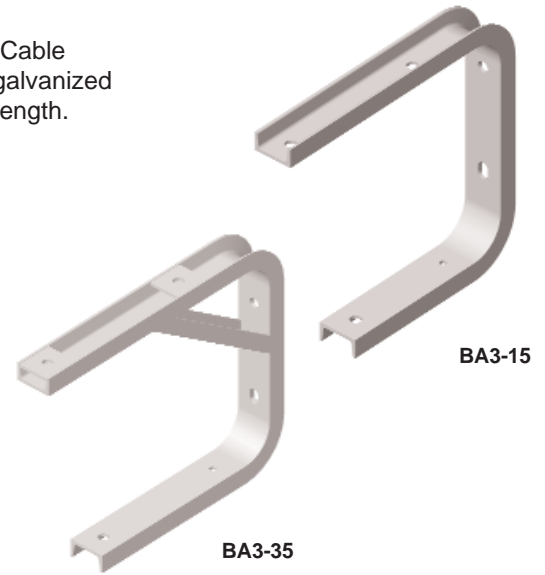
The BA3-15 and BA3-35 are angle brackets used with Hendrix Spacer Cable Systems. The brackets are formed using 3.0" channel and are hot dip galvanized after fabrication. The BA3-35 includes welded gussets for maximum strength.

## Benefits:

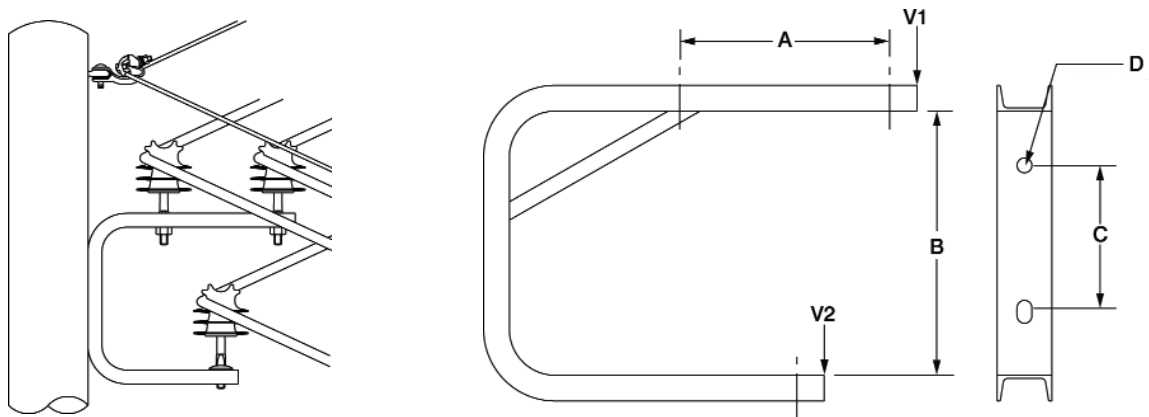
- Maintains the triangular configuration of the phase conductors.
- Simple, compact alternative to crossarm angle construction
- 8.0" mounting hole spacing conforms to standard pre-drilled poles for ease of installation
- Ground Lug Provision

## Application:

Pole mounting is accomplished using thru-bolts (not included).



| Catalog No. | System Voltage | Line Angle | Conductor Size   | Insulator(s)     | Insulator Pin Length (inches) | 2IP Insulator Plate |
|-------------|----------------|------------|------------------|------------------|-------------------------------|---------------------|
| BA3-15      | 15kV           | 7°- 60°    | All              | HPI-15, HPI-15VT | 7                             | not required        |
|             |                | 61°- 90°   | All              | HPI-15, HPI-15VT | 7                             | required            |
| BA3-35      | 25kV           | 7°- 44°    | All              | HPI-25, HPI-25VT | 7                             | not required        |
|             |                | 45°- 60°   | Below 336.4      | HPI-25, HPI-25VT | 7                             | not required        |
|             |                | 45°- 60°   | 336.4 and larger | HPI-25, HPI-25VT | 7                             | required            |
|             |                | 61°- 90°   | All              | HPI-25, HPI-25VT | 7                             | required            |
|             | 35kV           | 7°- 44°    | All              | HPI-35, HPI-35VT | 7                             | not required        |
|             |                | 45°- 60°   | Below 336.4      | HPI-35, HPI-35VT | 7                             | not required        |
|             |                | 45°- 60°   | 336.4 and larger | HPI-35, HPI-35VT | 7                             | required            |
|             |                | 61°- 90°   | All              | HPI-35, HPI-35VT | 7                             | required            |



| Catalog No. | System Voltage | Dimension (inches) |        |   |       | Min. Yield Load (lbs) |       | Weight (lbs) | Material                          |
|-------------|----------------|--------------------|--------|---|-------|-----------------------|-------|--------------|-----------------------------------|
|             |                | A                  | B      | C | D     | V1                    | V2    |              |                                   |
| BA3-15      | 15kV and below | 11 1/2             | 16 1/2 | 8 | 13/16 | 950                   | 1,200 | 19.4         | HDG<br>ASTM A-36 Structural Steel |
| BA3-35      | 46kV and below | 13 1/2             | 16 1/2 | 8 | 13/16 | 1,700                 | 1,000 | 28.0         | HDG<br>ASTM A-36 Structural Steel |