

# BA4-15 Angle Bracket

## Description:

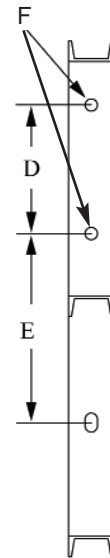
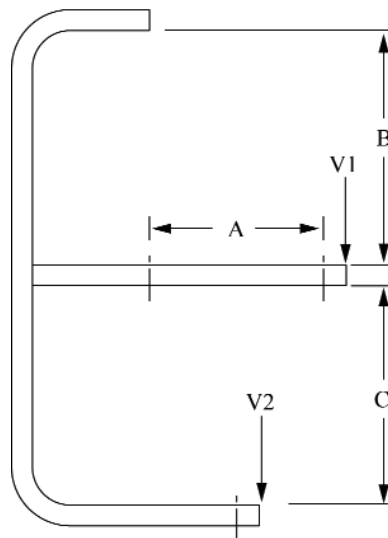
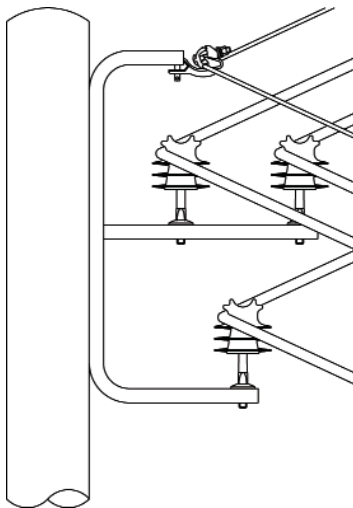
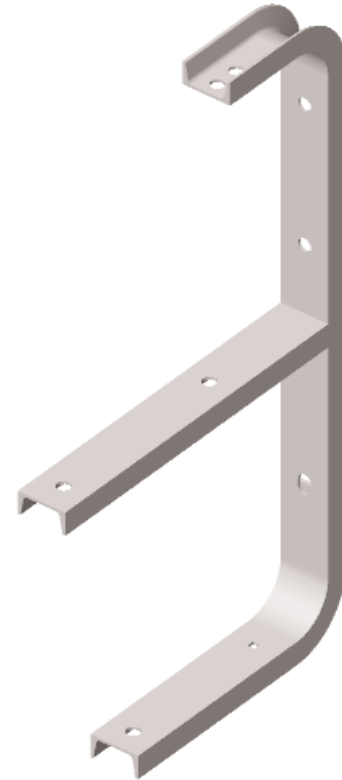
The BA4-15 is an angle bracket used with Hendrix Spacer Cable Systems. The bracket is formed using 3.0" channel and is hot dip galvanized after fabrication.

## Benefits:

- Top arm of bracket readily accepts Hendrix CMA-1 or CMA-2 (with Cat. No. UB U-bolt) messenger angle clamps, reducing the number of hardware items to complete the angle construction
- Maintains the diamond configuration of the messenger and phase conductors which improves the shielding of the system compared to constructions using a pole mounted messenger clamp
- Ground Lug Provision

## Application:

The BA4-15 angle bracket can be used on any structure where the line angle does not exceed 60°. The bracket should be applied along with Hendrix HPI Tie-Top polyethylene insulators and covered tie wire or HPI Vise-Top Insulators. Pole mounting is accomplished using thru-bolts (not included).



Catalog No.	System Voltage	Dimension (inches)						Min. Yield Load (lbs)		Weight (lbs)	Material
		A	B	C	D	E	F	V1	V2		
BA4-15	15kV and below	11 1/2	17 1/2	16 1/2	8 1/2	14 9/16	13/16	800	1,000	27	HDG ASTM A-36 Structural Steel