

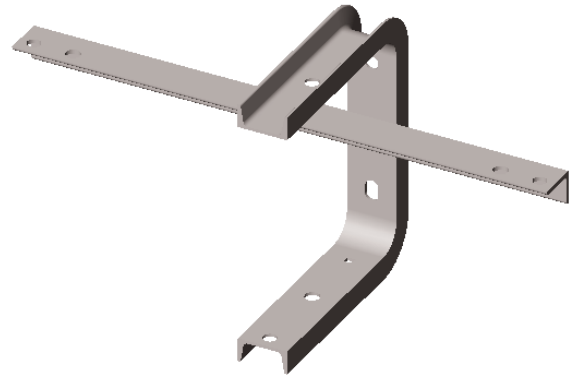
BD-35 Dead-end Bracket

Description:

The BD-35 is a dead-end bracket used with Hendrix Spacer Cable Systems. The bracket is formed using 3.0" channel and 2.0" structural angle and is hot dip galvanized after fabrication.

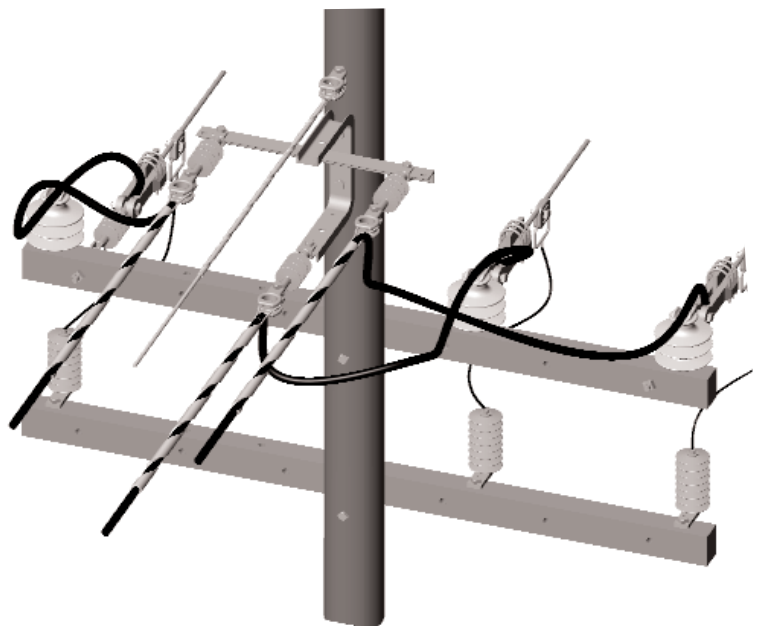
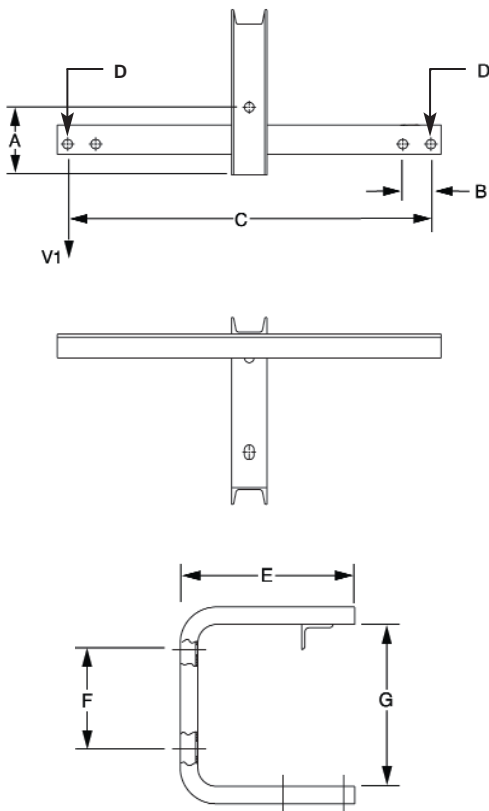
Benefits:

- Compact configuration of messenger and phase conductors is maintained, providing better shielding than crossarm dead-end construction
- Simplifies pole framing compared to crossarm dead-end construction
- 8.0" mounting hole spacing conforms to standard pre-drilled poles for ease of installation
- Ground Lug Provision



Application:

This bracket is recommended for use on circuit dead-ends as well as double dead-end angle construction. Where an insulator is required to support a jumper, Hendrix HPI insulators and covered tie wire or HPI Vise-Top insulators should be used. The messenger should be dead-ended on the pole above the bracket. Pole mounting is accomplished using thru-bolts (not included).



Catalog No.	Dimension (inches)							Min. Yield Load V1 (lbs)	Weight (lbs)	Material
	A	B	C	D	E	F	G			
BD-35	5 3/4	2 3/8	30 3/4	13/16	14	8	13 1/4	1,000	23.4	HDG ASTM A-36 Structural Steel