

SC, TC, HDTC Clevises

SC Shackle Clevis

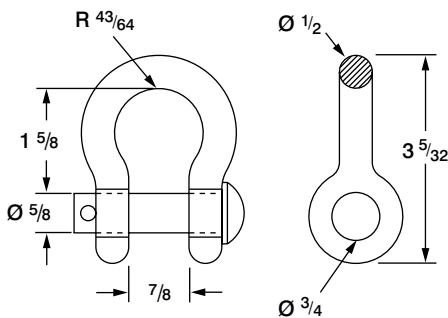
Description:

The Hendrix SC Shackle Clevis is used for attaching dead-end insulators to Hendrix dead-end brackets. It is made of hot dip galvanized steel.

Catalog No.: SC

Weight: 0.92 lb.

Rated Breaking Strength: 20,000 lbs.



TC Thimble Clevis

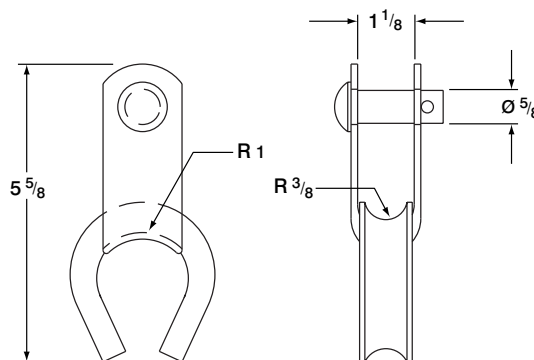
Description:

The Hendrix TC Thimble Clevis is used on the looped end of preformed conductor and messenger grips in order to evenly distribute the mechanical stress. It is made of galvanized pressed steel. When messenger tension, plus applicable safety factors, exceed 11,000 lb., the Hendrix HDTC Thimble Clevis must be used.

Catalog No.: TC

Weight: 1.0 lb

Rated Breaking Strength: 11,000 lbs.



HDTC Heavy Duty Thimble Clevis

Description:

The Hendrix HDTC Heavy Duty Thimble Clevis is used on the looped end of preformed messenger grips in order to evenly distribute the mechanical stress. It is made of galvanized steel.

Catalog No.: HDTC

Weight: 2.6 lb.

Rated Breaking Strength: 40,000 lbs.

