

# PBR-3 Roll-By Block TM Messenger Trolley, TL-30 Tag Line

## Description:

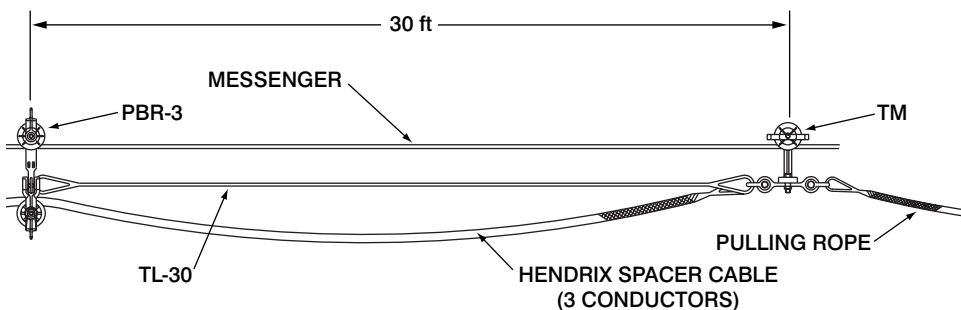
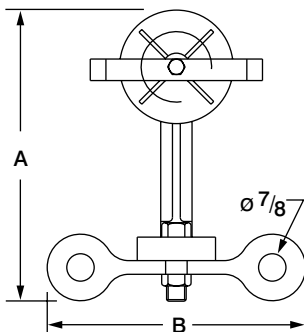
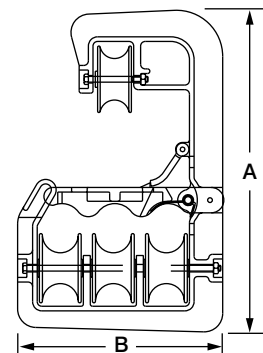
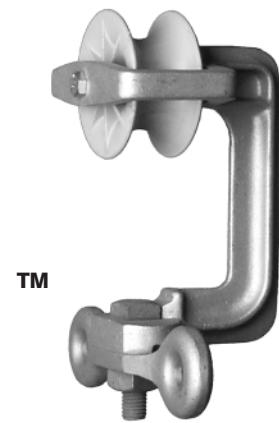
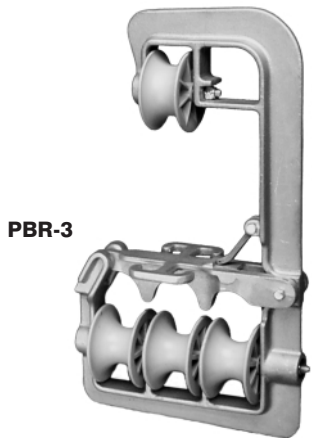
The PBR-3, TM and TL-30 are the pieces of installation equipment required to install Hendrix Spacer Cable Systems using the Roll-By Installation Method. The PBR-3 and TM have cast aluminum frames and high density polyethylene sheaves. The TL-30 Tag Line is a manila rope that is supplied with braided loops at each end for easy attachment to the PBR-3 Roll-By blocks.

## Benefits:

- Permits the installation of all three phase conductors simultaneously
- Compatible with Hendrix "BM" series tangent brackets permitting continuous, uninterrupted pulling past tangent structures
- Phase conductors are supported every thirty feet during installation, dramatically reducing sag between poles. Ideal for installations where the Hendrix Spacer Cable circuit is being built over an existing distribution circuit and for circuits that cross heavily traveled roads
- Obtaining proper phase conductor sag is quick and easy
- Simplifies the location of Hendrix spacers during the final stage of installation
- The PBR-3, TM and TL-30 are available on a rental basis, minimizing the investment in installation equipment

## Application:

A detailed Roll-By Installation Method guide is furnished in Section C of this catalog. When specifying PBR-3 Roll-By Blocks and TL-30 Tag Lines for an installation, the required number of each is equal to the longest pulling section in feet divided by thirty. Hendrix recommends that two TM Messenger Trolleys be available for each installation to provide a back-up in case one is damaged during the installation.



Catalog No.	Dimension (inches)		Maximum Conductor Diameter (in)	Weight (lbs)	Material
	A	B			
PBR-3	19 1/2	11 1/8	2	6.8	Cast Aluminum
TM	9 1/4	8 1/4	—	4.0	Cast Aluminum
TL-30	See description above			1.2	Manila Rope

PBR-3 Roll-By Block  
TM Messenger Trolley, TL-30 Tag Line