

BJ Slack Bracket

Description:

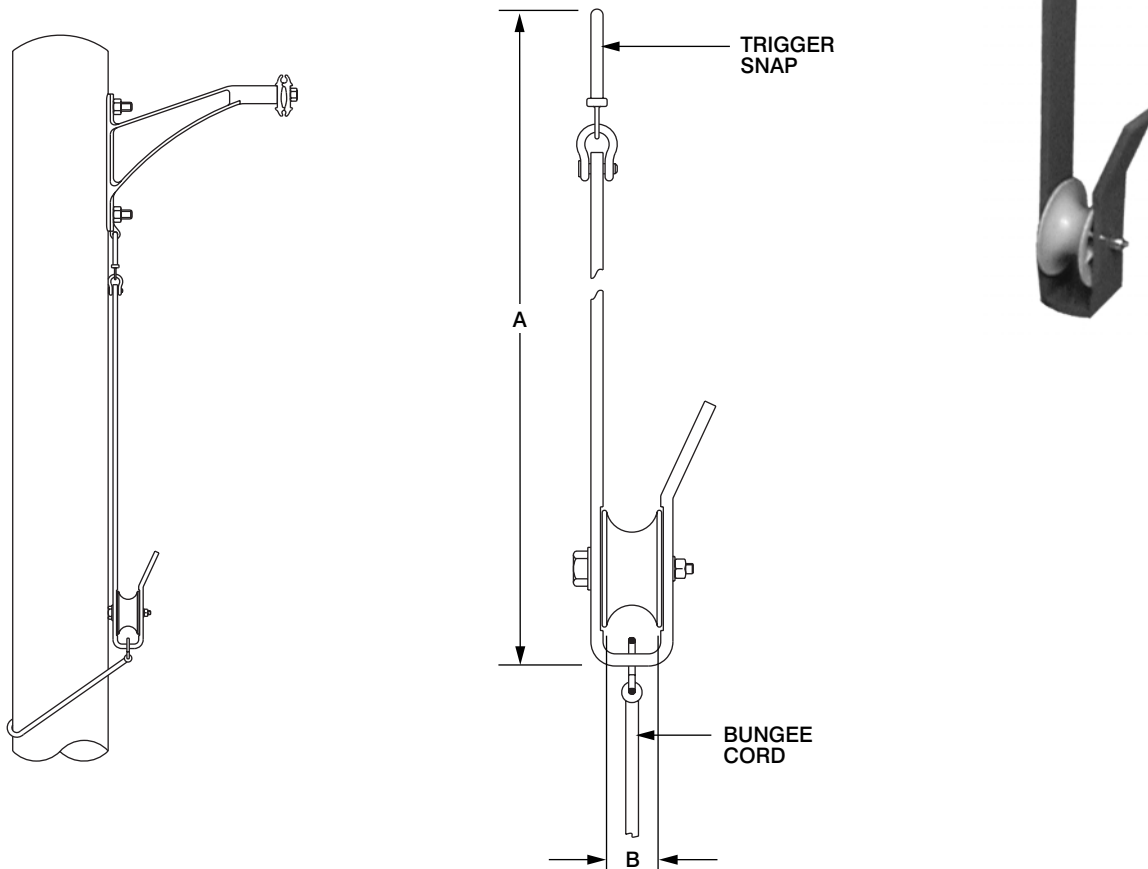
The BJ Slack Bracket is designed to support the rope that is used to pull in the phase conductors when the Roll-By Installation Method is used to install Hendrix Spacer Cable Systems.

Benefits:

- Attaches quickly and easily to Hendrix BM-5L, BM-14A and BM-24A tangent brackets
- Roller helps provide smooth, resistance free pull
- Keeps pulling rope off the ground, minimizing wear and reducing clearance problems when over-building existing utilities and at road crossings
- Available on a rental basis, reducing the investment in installation equipment

Application:

The BJ Slack Brackets can be installed on the tangent brackets as the poles are being framed. Attachment to the tangent bracket is accomplished through a trigger snap. A bungee cord is provided to secure the roller end of the bracket to the pole. The BJ Slack Bracket is designed to support the pulling rope only and should not be used to install cable.



Catalog Number	Dimension (in)		Weight (lbs)	Ultimate Vertical Load (lbs)
	A	B		
BJ	35	1 ½	4.3	800