



S-306, S604, S-605 Secondary Cable Spreaders ST-2 Secondary Cable Spreading Tool

Description:

The S-306, S-604 and S-605 are secondary cable spreaders which are used to separate the phase conductors and bare neutral at locations where customer service drops are to be connected. The spreaders are molded using proprietary, gray or black high density polyethylene.

The ST-2 is a secondary cable spreading tool which is used to spread the conductors and neutral in secondary cable. It simplifies the installation of service taps and cable spreaders such as the S-306, S-604 and S-605. The spreading tool is molded using black, high impact polystyrene.

Benefits:

- Safe, easy to use, economical
- Trouble-free, non-shattering
- Small size, neat appearance

Application:

The S-306, S-604 and S-605 spreaders are designed to accommodate up to three conductors and a neutral at service drop connections between poles. The S-306 provides more separation of conductors, if required. The S-604 and S-605 are also suitable for fixed installation to the pole using a thru-bolt (not included). Please specify color required (black or gray).

The ST-2 spreading tool provides up to 5½" of separation between all sizes of phase conductors and neutrals. A thru-hole in the base of the spreading tool accommodates a screwdriver or similar tool which gives additional leverage when the tool is turned between large or close lay conductors.



S-306



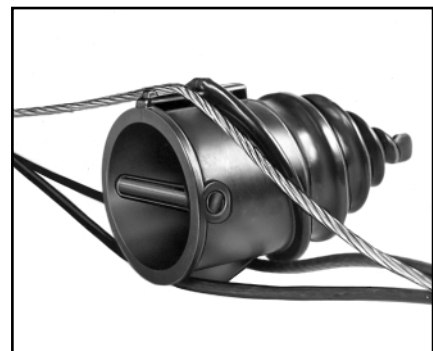
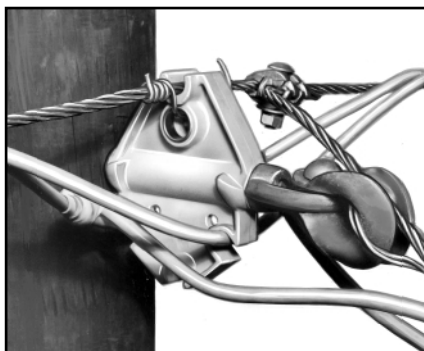
S-604



S-605



ST-2



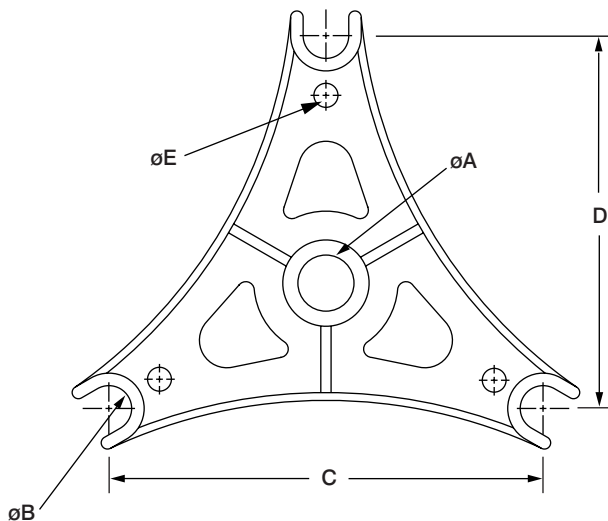
continued



**S-306, S604, S-605 Secondary Cable Spreaders
ST-2 Secondary Cable Spreading Tool**

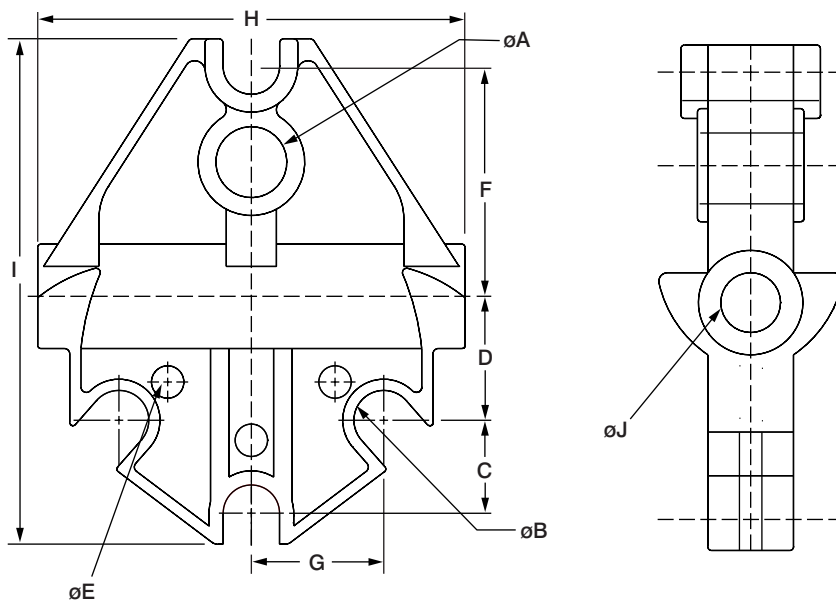
S-306, S604, S-605 Secondary Cable Spreaders
ST-2 Secondary Cable Spreading Tool

S-306



S-604

S-605



		Catalog Number		
		S-306	S-604	S-605
Dimension (inches)	A	1 ³ / ₁₆	1 ³ / ₁₆	1 ³ / ₁₆
	B	1 ¹ / ₁₆	1 ¹ / ₁₆	3/4
	C	7 1/2	1 1/16	2 5/8
	D	5 9/16	1 7/16	1 19/32
	E	1 1/32	3/8	3/8
	F	—	2 11/16	2 5/8
	G	—	1 1/2	1 3/4
	H	—	4 15/16	5 1/16
	I	—	5 27/32	7 15/32
	J	—	1 1/16	1 1/16
Weight (lbs)		0.30	0.40	0.45
Material		Gray or Black High Density Polyethylene		