

HPP-24 Perch Preventer HPP-M Hardware Set

Description:

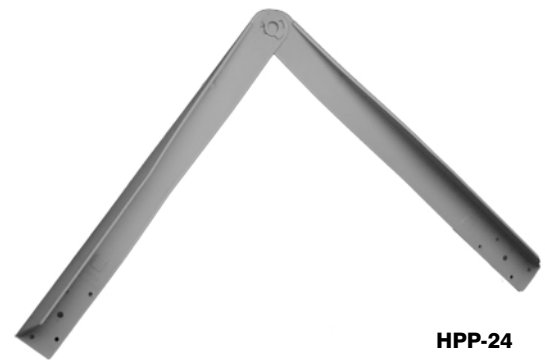
The HPP-24 Perch Preventer is a unique device which is designed to discourage birds from landing between phases on transmission and distribution structures. The perch preventer is molded using proprietary, gray, high density polyethylene.

Benefits:

- Design prevents injury to birds
- Reduces circuit outages
- Adjustable, easy to install
- Neat appearance
- Economical

Application:

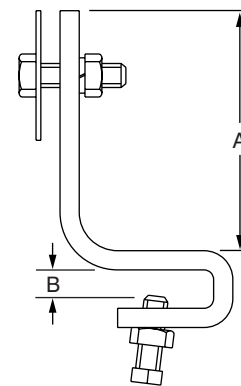
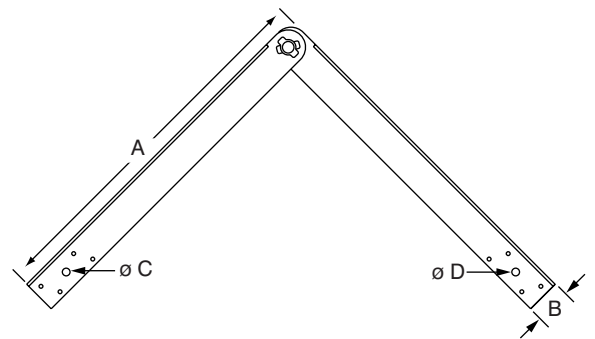
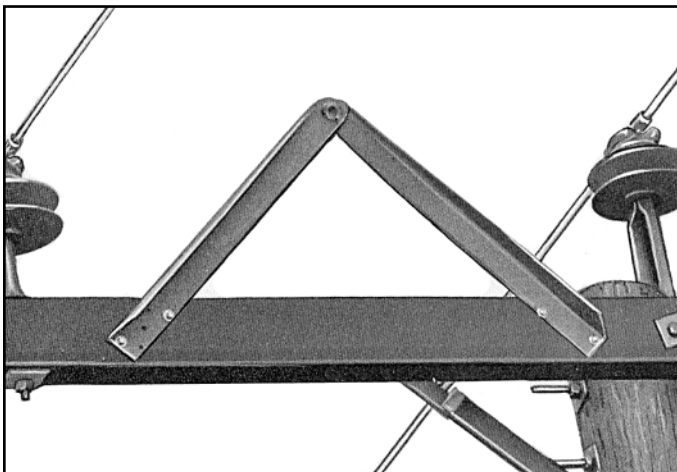
The HPP-24 Perch Preventer is shipped assembled and ready to mount on a wood crossarm or steel channel. The legs are adjustable from 6.0" to 24.0" spacing. The hardware required for mounting on a wood crossarm is not included. When mounting on a steel channel, specify the HPP-M Hardware Set.



HPP-24



HPP-M



Catalog Number	Dimension (inches)				Weight (lbs)	Material
	A	B	C	D		
HPP-24	24 ¼	2 ¼	¼	7/16	.78	Gray High Density Polyethylene
HPP-M	3 ½	1 ½	—	—	1.6	Galvanized Steel

HPP-24 Perch Preventer
HPP-M Hardware Set