

VTST-1 Vise-Top Stringing Tool

Description:

The VTST-1 is an installation tool that allows a conductor to be pulled directly through any Hendrix Vise-Top insulator. The VTST-1 is injection molded using glass-filled Acetal and includes stainless steel wear bands for increased abrasion resistance.

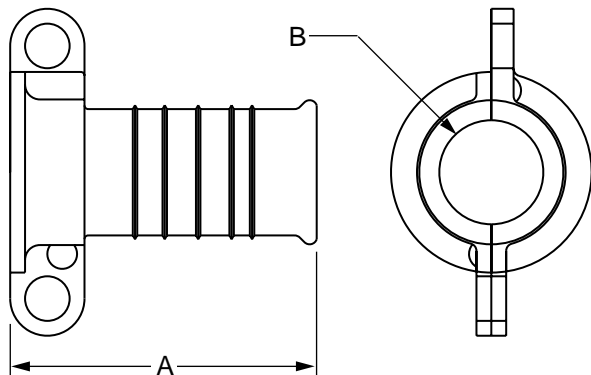
Benefits:

- Eliminates the need for a separate stringing block, reducing the inventory of expensive installation equipment
- Installation efficiency is improved as the conductors do not have to be transferred to the vise-top insulators from a separate stringing block
- Installation can be completed using hot sticks, improving the safety of installation of phase conductors near an energized circuit
- The VTST-1 is far less expensive than a standard single sheave installation block
- Durable design provides long life through multiple installations



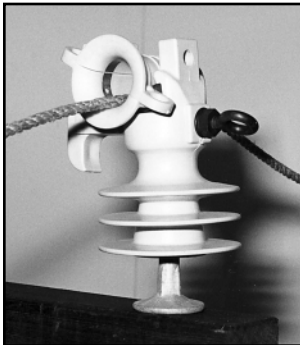
Application:

The VTST-1 is intended for use with covered conductors only. Use of the stringing tool with bare wire can lead to galling of the conductor or premature wear of the VTST-1. Roller stringing blocks should be used when installing bare conductor.



Catalog Number	Dimension (in)		Weight (lbs)	Material
	A	B		
VTST-1	5 5/8	1 3/4	.55	Glass Filled Acetal

Installation Procedures Using VTST-1 Stringing Tool With Vise-Top Insulator



Install the Vise-Top insulator in its permanent position, then clamp the stringing tool and pull rope in.



String and sag the conductor through the VTST-1 directly on the insulator.



Loosen bolt and slide the split tool away from the insulator by hand or with a hot stick tool until the halves separate.



Clamp conductor by tightening the torque bolt with a hand tool or hot stick tool until the ring breaks away.