

H-15V, H-20V Spacers

Description:

The H-15V and H-20V are vertical spacers used in Hendrix Spacer Cable Systems. After they are hung on the messenger, the H-15V and H-20V support and separate the phase conductors in a vertical configuration. These spacers are secured to the messenger and conductors using RT-33 ring ties which are included with the spacers. The H-15V and H-20V are molded using proprietary, gray, track resistant, high density polyethylene.

Benefits:

- Optimum dielectric compatibility with Hendrix Spacer Cable
- Excellent weather washing characteristics
- Long leakage distance resists flashovers
- Close phase spacing minimizes voltage drop
- Highly resistant to shock/impact/rifle fire
- Lightweight, rugged construction
- Using RT ring ties, can be installed with hot line tools

Application:

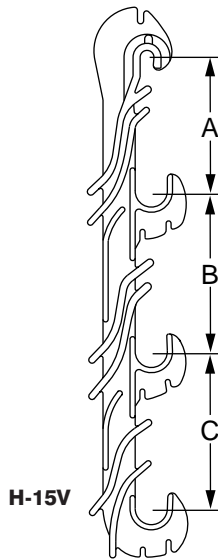
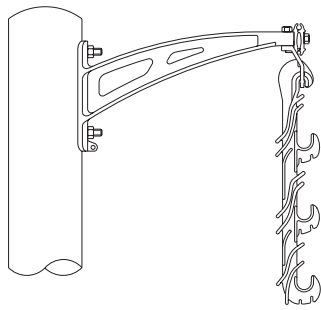
The H-15V is designed for use on distribution systems rated 5kV through 15kV where vertical separation of conductors is required. The H-20V is designed for use on single phase distribution circuits rated 20kV, phase to ground, and this spacer has a hole for attachment of a BAS Anti-Sway Bracket, if required. A typical application for the H-20V is backlot, residential construction. Installation of the spacers should be made in accordance with Hendrix Installation Instructions. Spacers are installed at 30 foot intervals.



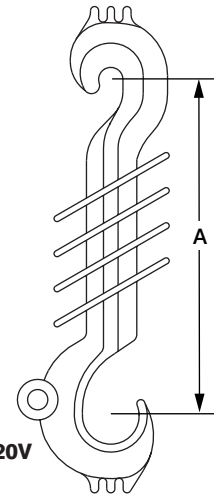
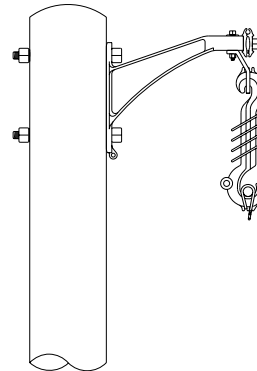
H-15V



H-20V



H-15V



H-20V

Catalog No.	Overall Dimensions (in)		Dimensions (in)			Min. Leakage Distance (in)	Max. Messenger Diameter (in)	Max. Conductor Diameter (in)	Weight (lbs)	Material
	Height	Width	A	B	C					
H-15V	26	4 1/2	6 1/2	7 1/2	7 1/2	10 1/2	.750	1.50	1.5	High Density Polyethylene
H-20V	14 5/16	4	10 1/2	-	-	18 1/2	.750	1.50	.75	High Density Polyethylene