

BM-14A, BM-24A, BM-5L Tangent Brackets

Description:

The BM-14A, BM-24A, and BM-5L are tangent brackets used with Hendrix Spacer Cable Systems. These brackets are cast aluminum and provide an exceptional strength to weight ratio. All tangent brackets are supplied with a Hendrix MC-2 messenger clamp.



BM-14A



BM-24A



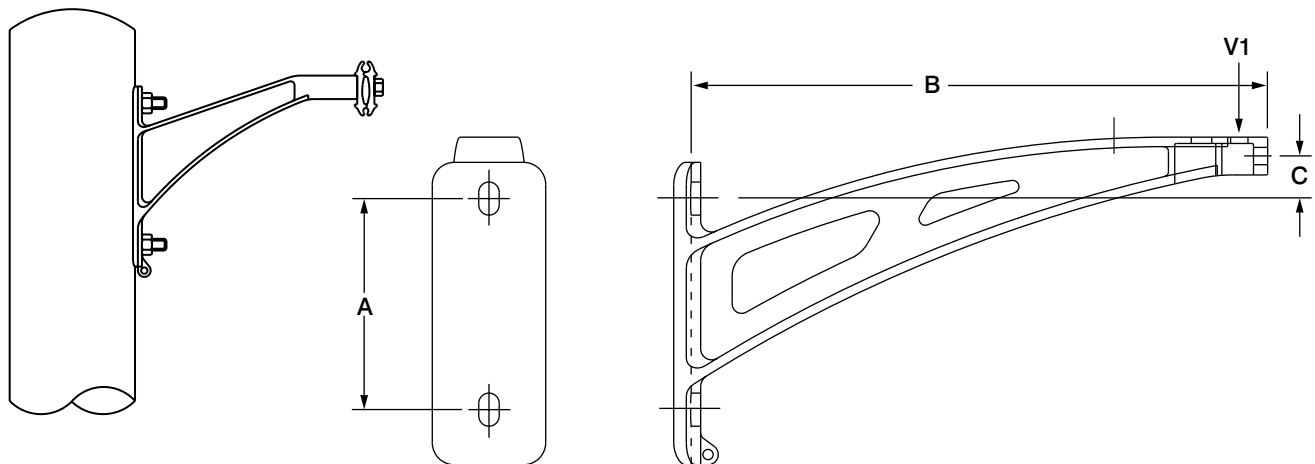
BM-5L

Benefits:

- Designed to work in conjunction with Hendrix Roll-By installation equipment and allow continuous, uninterrupted pulling past tangent structures.
- Upswept design of the BM-14A and BM-24A helps maximize vertical pole space
- Tangent brackets will accept a standard short shank insulator pin (up to $\frac{3}{4}$ " shank diameter) and insulator for single phase spacer cable angle construction as well as "armless" tree wire construction

Application:

BM brackets should be used on tangent poles and line angles up to 6° . The BM-5L bracket may be used in light loading applications where a bracket with lower ultimate vertical strength would be more compatible with the strength of lower strength poles. Pole mounting is accomplished using either $\frac{5}{8}$ " or $\frac{3}{4}$ " thru-bolts (not included).



Catalog No.	System Voltage	Dimension (inches)			Minimum Ultimate Strength (lbs) V1 (vertical)	Weight (lbs)	Material
		A	B	C			
BM-14A	15kV and below	8	14	1½	3,200	5.9	ASTM 356 T-6 Aluminum
BM-24A	46kV and below	8	24	2	4,000	12.9	ASTM 356 T-6 Aluminum
BM-5L	15kV and below	5	14	–	1,500	5.0	ASTM 356 Aluminum