

# BAS-14F, BAS-14S, BAS-24F Anti-Sway Brackets

## Description:

The BAS-14F, BAS-14S and BAS-24F Anti-Sway Brackets are designed to be used on tangent Hendrix Spacer Cable structures. These brackets are injection molded, proprietary, high density polyethylene. All anti-sway brackets are supplied with a molded clevis pin for attachment to the spacer.

## Benefits:

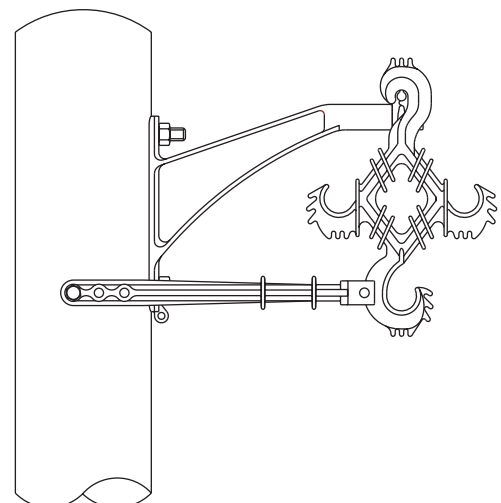
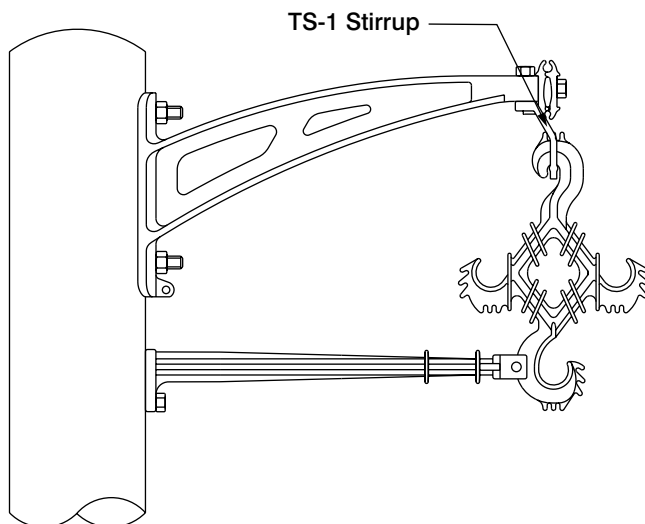
- Stabilizes the spacer at transformer tap poles and eliminates flexing of the transformer lead wire and stress on connections due to movement of the Hendrix Spacer Cable System
- Helps minimize excessive swinging of the Spacer Cable System in high wind areas

## Application:

Anti-sway brackets should be used to stabilize spacers on tangent poles and line angles up to 6° and can be used with any Hendrix spacer. The BAS-14F and BAS-24F are mounted on the front of the pole, directly under the tangent bracket, and require a TS-1 stirrup to be used with the tangent bracket. The BAS-14S is mounted to the side of the pole and does not require the TS-1 stirrup. Pole mounting is accomplished using a 1/2" lag bolt (not included).



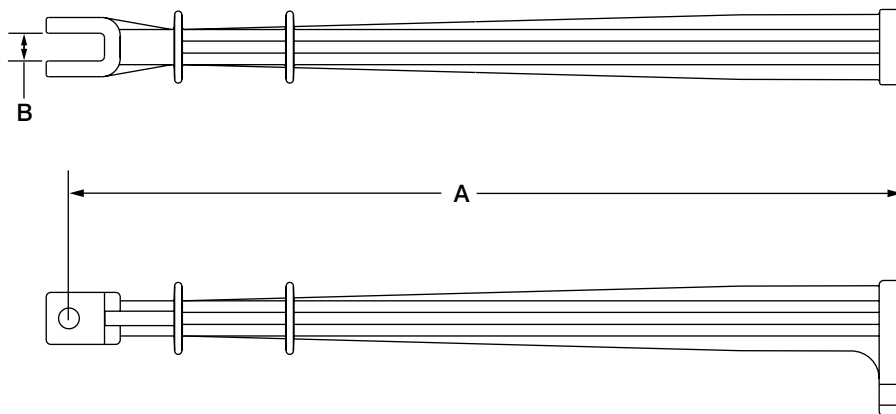
Catalog No.	Compatible/Required Hardware					
	BM-14A	BM-14FB	BM-5L	BM-24A	BM-24FB	TS-1
BAS-14F	X	X	X	—	—	X
BAS-14S	X	X	X	—	—	—
BAS-24F	—	—	—	X	X	X



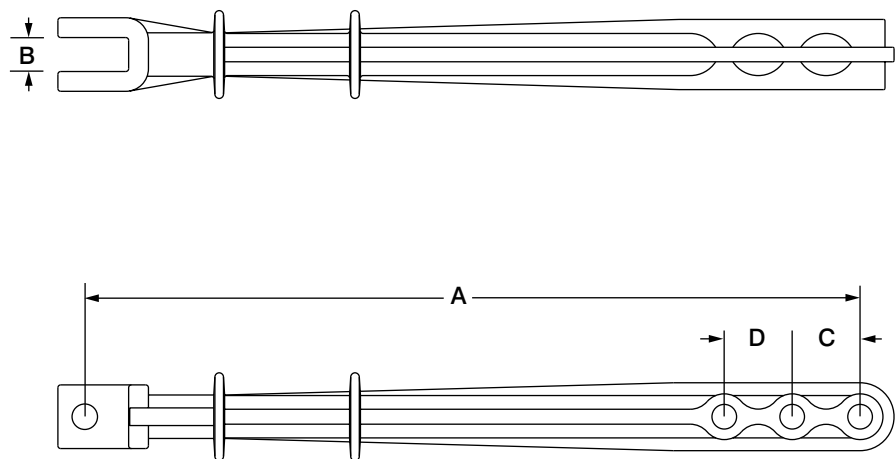
continued

# BAS-14F, BAS-14S, BAS-24F Anti-Sway Brackets

**BAS-14F**  
**BAS-24F**



**BAS-14S**



Catalog No.	Dimension (inches)				Weight (lbs)	Material
	A	B	C	D		
BAS-14F	12 1/2	3/4	—	—	.57	Gray High Density Polyethylene
BAS-14S	17 1/4	3/4	1 1/2	1 1/2	.57	Gray High Density Polyethylene
BAS-24F	22 1/2	3/4	—	—	.97	Gray High Density Polyethylene