

# 2IP Double Insulator Plate

## Description:

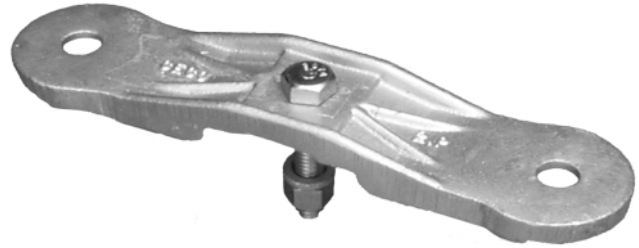
The 2IP Double Insulator Plate is an accessory that allows two Hendrix Type HPI polyethylene insulators to be used at each phase position on all Hendrix angle brackets. The 2IP is cast ductile iron that is hot dip galvanized after fabrication.

## Benefits:

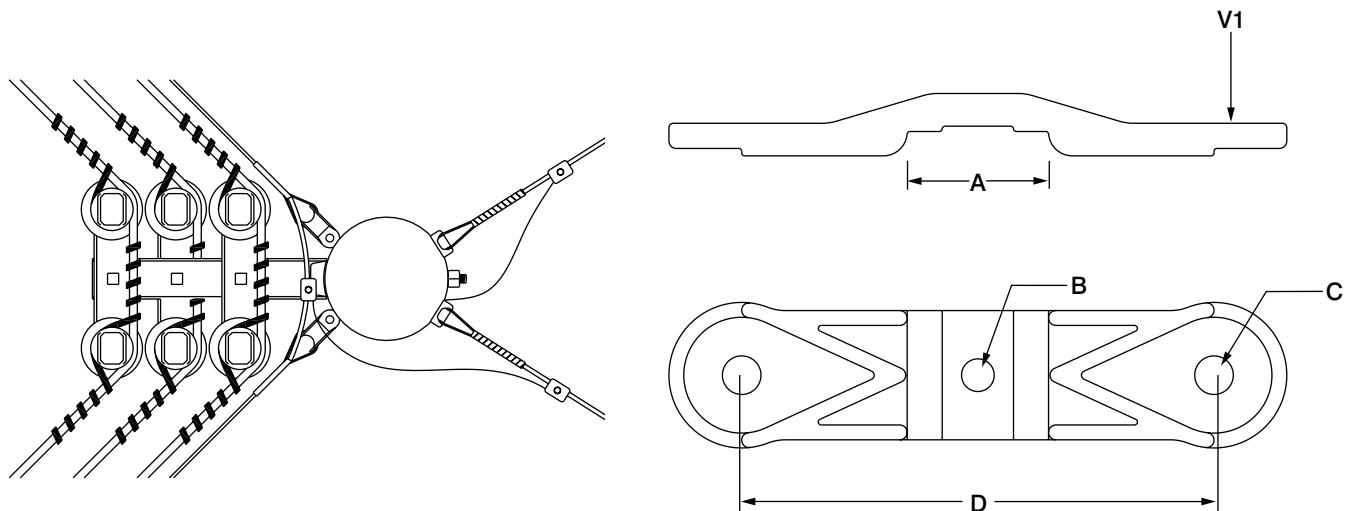
- Provides an increased phase conductor bend radius
- Divides the mechanical load of large angles between two insulator pins

## Application:

Each 2IP plate is furnished with the required hardware for mounting on all Hendrix angle brackets.



System Voltage	Line Angle	Conductor Size	2IP Plate
15kV	7° - 60°	All conductors	not required
	61° - 90°	All conductors	required
25kV	7° - 44°	All conductors	not required
	45° - 60°	Below 336.4	not required
	45° - 60°	336.4 and larger	required
	61° - 90°	All conductors	required
35kV	7° - 44°	All conductors	not required
	45° - 60°	Below 336.4	not required
	45° - 60°	336.4 and larger	required
	61° - 90°	All conductors	required



Catalog No.	Dimension (inches)				Minimum Ultimate Strength V1 (lbs)	Weight (lbs)	Material
	A	B	C	D			
2IP	3 1/8	∅ 1 1/16	∅ 1 1/16	10	1,750	3.9	Ductile Iron